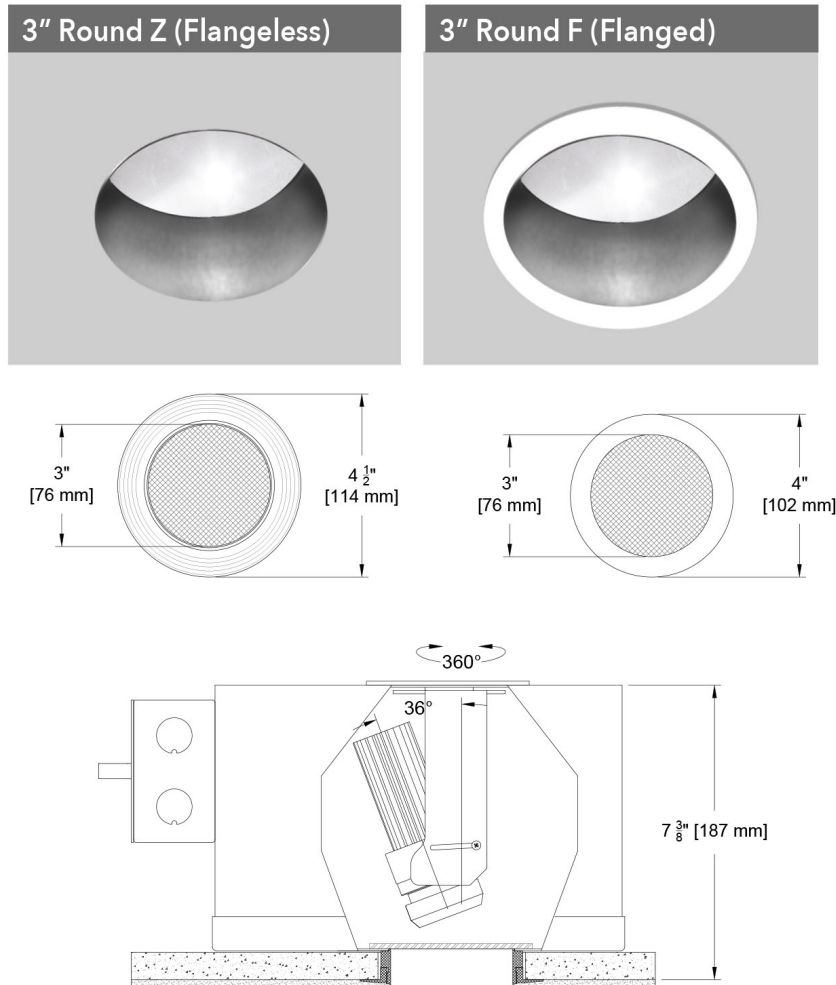


# Rivet 3" Round Adjustable Downlight (76mm)

Formerly 1360  
Adjustable Recessed Accent/Downlight

## The Rivet Family

In Rivet you will find a captivating, precision driven lighting instrument with a distinctly styled aperture trim. Tailored to quietly enhance architectural spaces, its unique precision milled aluminum trim is available in all of our anodized finishes, as well as field paintable. The housing's thoughtful engineering includes a magnetically attached head with a precision tilt aiming mechanism and a sliding captured lens for use in wet locations such as showers. Source options include our 90+ CRI static white LED sources and our proprietary Ambient Dim (warm dim) chip. This family is available in round or square apertures and in single or double configurations.



PROJECT:

TYPE:

SPECIFIER:

DATE:

### Key Points (RV3D-RA)

#### Trim

- Milled aluminum trims available in Flanged, Flangeless or Flangeless Panel trim
- Three standard anodized finishes, clear, black and bronze plus all of our custom anodized finishes
- Trims are field paintable. We recommend specifying the Clear Anodize finish for trims that are to be field painted.
- Flangeless includes plaster flange with lip

#### Source / Optics

- Unique magnetic mounting of luminaire head promotes easy, full 360° rotational aiming, and allows toolless drop down of head for easy access to change optics and lens accessories, as well as driver servicing
- Precision engineered dual axis cam for vertical tilt aiming up to 36° allows luminaire to remain centered in aperture reducing beam clipping
- 3 beamspreads available - 20°, 28° and 40°
- Up to 965 delivered lumens
- <2 MacAdam Steps (<2SDCM) for fixed white
- 90 CRI , 60+ R9 Standard- 95 CRI 90+R9 Optional
- 2700, 3000, 3500, 4000K and Ambient Dim (3000-1900k)
- L87B3>55,000 hours at 40°C Ambient

#### Housing

- Unique integral sliding lens within housing provides US Listed – Damp or wet with shower trim
- Heavy gauge aluminum for new construction
- IC Rated / Airtight Housing approved for use in direct contact with insulation – Chicago Plenum Available
- Supports California Title 24 part 6 compliance to JA8 requirements with airtight housing

#### Driver

- Phase, 0-10, DALI, or Ecosystem
- Flicker free to IEEE 1789-2015 available
- Prewired and integral to housing unless otherwise noted
- Universal 120-277v unless otherwise noted

## Photometric Table

All data below is based from goniometer measurement of production representative product. All lumen values can vary +/-10% from LED manufacturer rated nominal flux.

ROUND Beamspreads	System watts (W)	20°				28°				40°			
		Delivered Lumens (lm)	Lumens/Watt	Peak CD	10% Field	Delivered Lumens (lm)	Lumens/Watt	Peak CD	10% Field	Delivered Lumens (lm)	Lumens/Watt	Peak CD	10% Field
Citizen C7	9	696	82	3520	48°	632	74	2101	52°	644	76	1143	54°
Citizen C11	13	965	77	4962	48°	875	69	2918	52°	888	70	2046	54°
Ambient Dim A9	10	547	54	2145	50°	484	48	1358	54°	514	51	1166	54°
Ambient Dim A11	12	629	52	2470	50°	565	47	1603	54°	592	49	1341	53°

Ambient dim measured at full output. ISO cd Plots based upon C11 Source. Refer to photometry tab on product page for exact ISO cd plot and IES files. Data is based upon a single head aimed at 0°.

# Rivet 3" Round Adjustable Downlight (76mm)

Formerly 1360  
Adjustable Recessed Accent/Downlight



## Ordering Codes

PROJECT: \_\_\_\_\_ SPECIFIER: \_\_\_\_\_  
DATE: \_\_\_\_\_ TYPE: \_\_\_\_\_ QUANTITY: \_\_\_\_\_

Ordering Code Example: *RV3D-RA-P-AU-A11-AD-28-C2-A01-91L-97L*

FIXTURE	TRIM	MOUNTING	SOURCE / WATTS	CCT	BEAM	DRIVER / CONTROL	TRIM FINISH	LENS ACCESSORIES	ACCESSORIES
RV3D-RA									
Rivet 3" Round Adjustable Downlight	<p>F Flanged Trim</p> <p>Z Flangeless Trim</p> <p>P Panel Trim</p> <p>* Aperture Shower Lens standard. Can be slid within housing to be open aperture.</p>	<p>AU ●● Airtight Universal IC-Rated</p> <p>●● California Title Compliant</p>	<p>Citizen</p> <p>C7 ●● 9W 696Lm* 90+CRI, 60+R9</p> <p>C11 ●● 13W 965Lm* 90+CRI, 60+R9</p> <p>Ambient Dim™</p> <p>A9 ●● 10W 547Lm* 95+CRI, 90+R9 3000 to 1900k</p> <p>A11 ●● 12W 629Lm* 95+CRI, 90+R9 3000 to 1900k</p> <p>●● Supports CA Title 24 Compliance to JA8</p> <p>* Based on 20° beam</p>	<p>Citizen</p> <p>27 2700K</p> <p>30 3000K</p> <p>35 3500K</p> <p>40 4000K</p> <p>Ambient Dim™</p> <p>AD 3000-1900K</p>	<p>20 Spot</p> <p>28 Narrow Flood</p> <p>40 Flood</p>	<p>C1 0-10 1.0%, UNV (120-277V) linear</p> <p>C2 ELV/Triac 1.0%, (120-277V) linear</p> <p>E1 0-10 0.1%, UNV (120-277V) log</p> <p>E2 DALI-2 0.1%, UNV (120-277V) log</p> <p>E3 0-10 0.1%, UNV (120-277V) linear</p> <p>TR2 TruPhase™ 0.1%, (120-120V) log Up to 20W Forward and Reverse compatible Phase Dimming Static White &amp; Ambient Dim only</p> <p>Lutron</p> <p>LD Digital Ecosystem* 1.0%, UNV (120-277V) ECO Hi-Lume SoftOn/Fade-to-Black LDE1</p> <p>* remote driver only</p>	<p>A32 Clear Aluminum Anodize*</p> <p>A01 Black Anodize</p> <p>A24 Bronze Anodize</p> <p>AXX Specialty anodize color^</p> <p>A1-A36</p> <p>* Best finish for field painted applications</p> <p>^ Refer to Finish Guide</p> <p>FINISH GUIDE LINK</p>	<p>Reflector (lamp) Media</p> <p>91L Solite</p> <p>93L Frosted</p> <p>97L Black Hexcel Louver</p> <p>XXL Other reflector (lamp) media*</p> <p>Up to 2 lamp accessories can be selected.</p> <p>*See Lens Accessory Guide</p> <p>LENS ACCESSORY VISUAL GUIDE LINK</p>	<p>CP Chicago Plenum</p> <p>EM Emergency Pack*</p> <p>Controls</p> <p>LR Lutron Wireless RF PowPak</p> <p>CA Casambi Wireless BLE to be paired with driver</p> <p>ATH Lutron Athena Wireless Node <i>Must be used with E2 driver</i></p> <p>* Consult factory with requirements for availability</p>

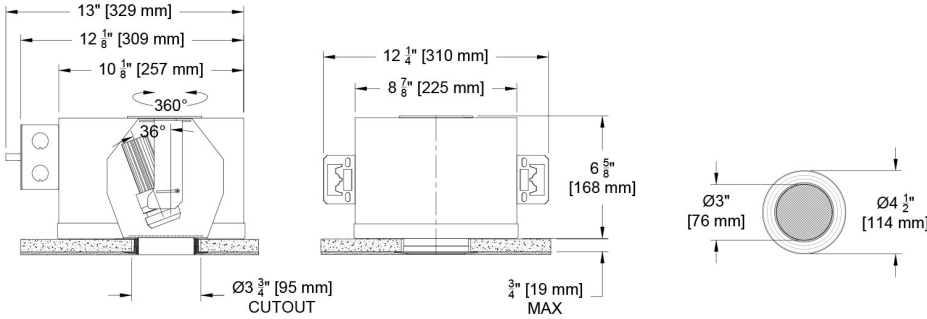
# Ceiling Cutouts and Dimensions

Trim Types Indicated by Drawing

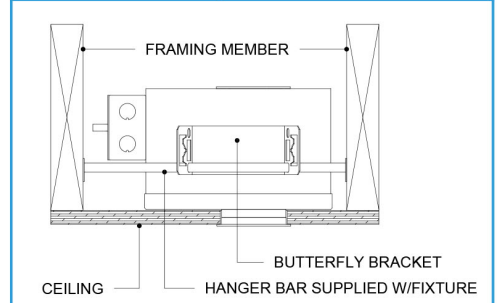
## 3" IC/Airtight Housing

### Flangeless Trim (Z)

(RV3D-RA-Z-AU)



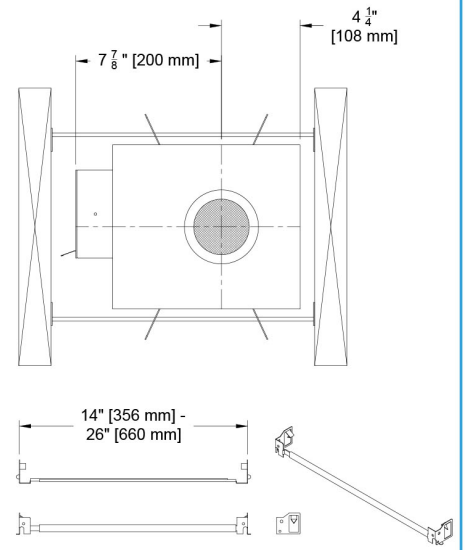
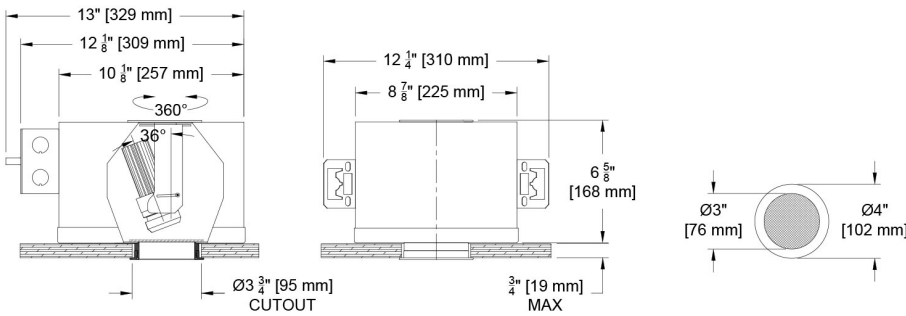
### Hanger Bar Detail



## 3" IC/Airtight Housing

### Flanged Trim (F)

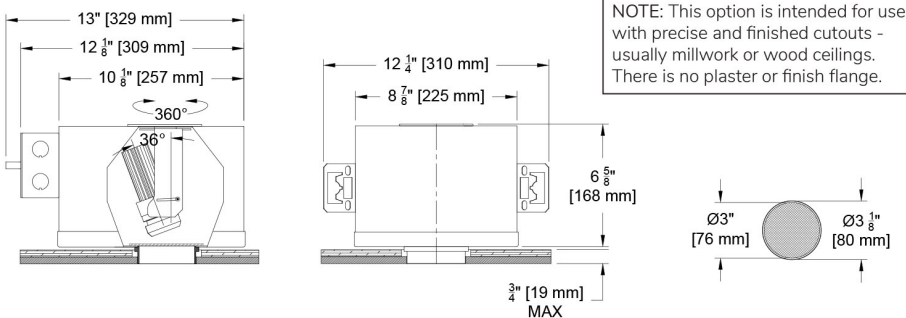
(RV3D-RA-F-AU)



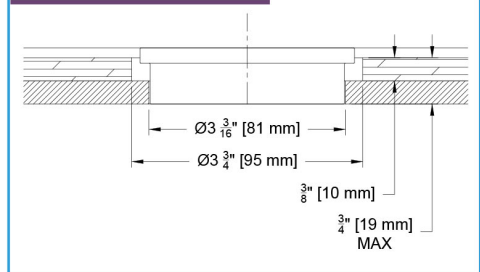
## 3" IC/Airtight Housing

### Panel Trim (P)

(RV3D-RA-P-AU)

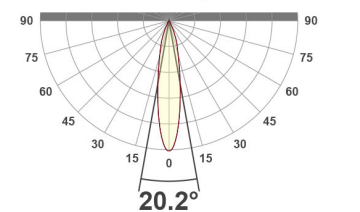
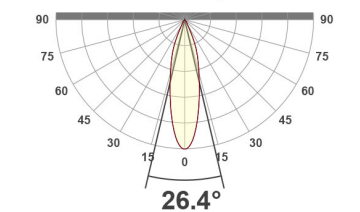
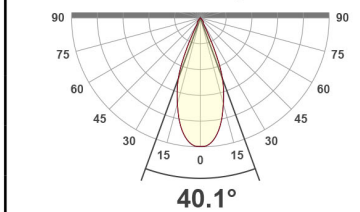


### Panel Trim Detail



# Photometric Table

All data is based from goniometer measurements of production representative product of a single head. All lumen values can vary +/- 10% from LED manufacturer rated nominal flux. Measurements at 3000 CCT

ROUND Beamspreads		20°				28°				40°			
Source	System watts (W)	Delivered Lumens (lm)	Lumens/ Watt	Peak CD	10% Field	Delivered Lumens (lm)	Lumens/ Watt	Peak CD	10% Field	Delivered Lumens (lm)	Lumens/ Watt	Peak CD	10% Field
Citizen C7	9	696	82	3520	48°	632	74	2101	52°	644	76	1143	54°
Citizen C11	13	965	77	4962	48°	875	69	2918	52°	888	70	2046	54°
Ambient Dim A9	10	547	54	2145	50°	484	48	1358	54°	514	51	1166	54°
Ambient Dim A11	12	629	52	2470	50°	565	47	1603	54°	592	49	1341	53°
CCT Multiplier		Beam angle				Beam angle				Beam angle			
CCT	Citizen												
2700	0.95	20.2°				26.4°				40.1°			
3000	1.00												
3500	1.02												
4000	1.03												

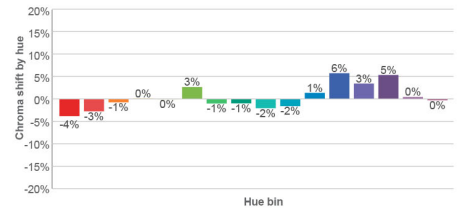
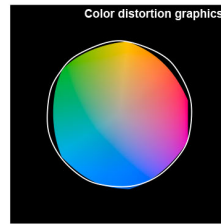
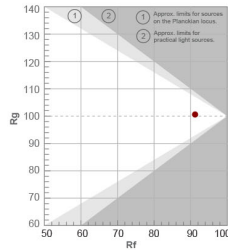
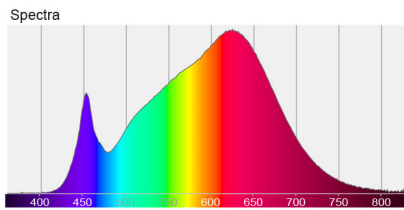
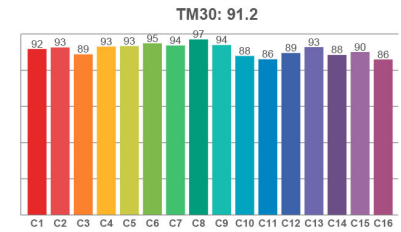
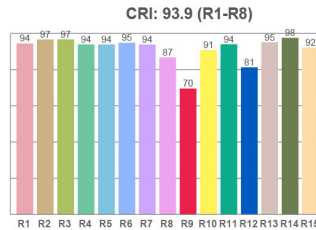
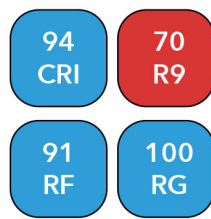
ISO cd Plots based upon C11 Source. Refer to photometry tab on product page for exact ISO cd plot and IES files.

# Color Data

All data is based from goniometer measurements of production representative product. All lumen values can vary +/- 10% from LED manufacturer rated nominal flux. Measurements at 3000 CCT

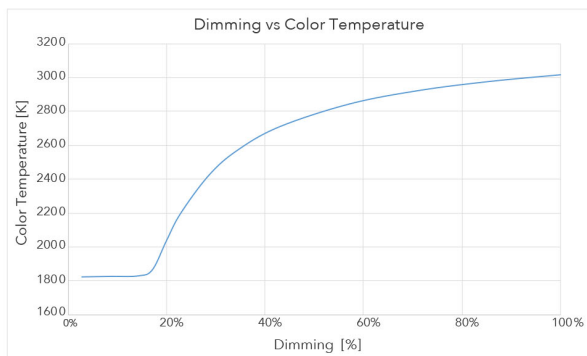
## Citizen Source C7, C11

- <2 MacAdam Ellipse (<2 SDCM)
- 90+ CRI and RF
- 60+R9, Hue Bin 1

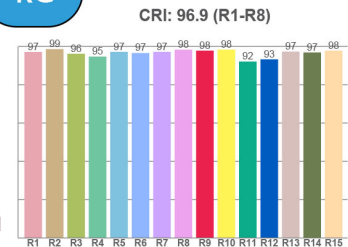
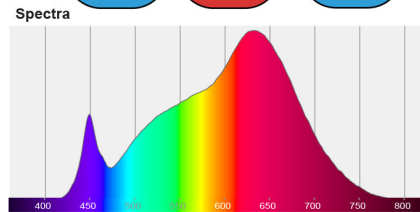


## Ambient Dim Source A9, A11 (AD - 3000k to 1900k)

- <3 MacAdam Ellipse (<3 SDCM)
- 95+ CRI and RF
- 90+R9, Hue Bin 1
- Follows Black Body Locus through dimming range



### 3000 CCT Full Output



### 1850 CCT 5% Output

